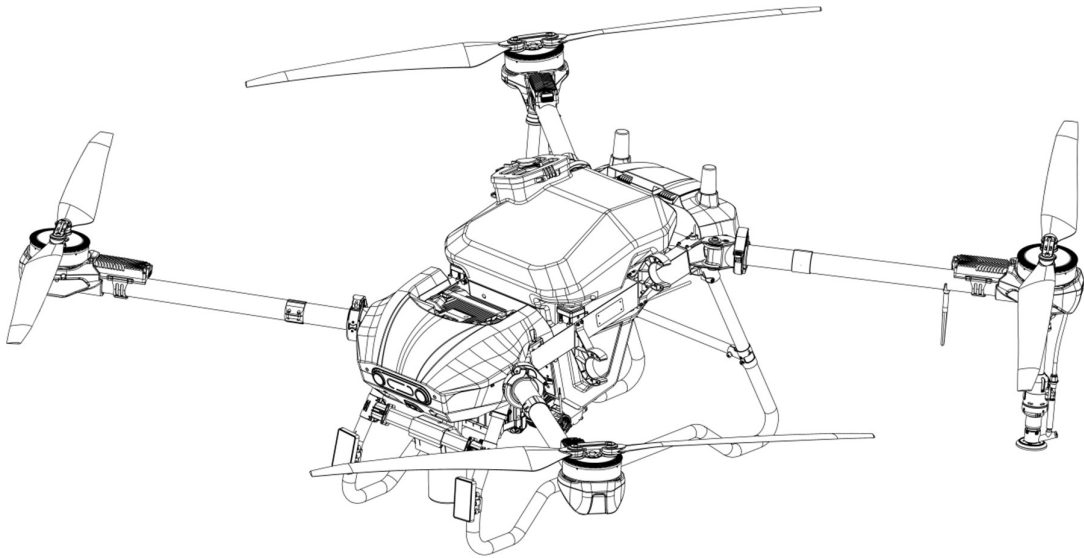


Agricultural Drone Instruction Manual

Drone Activation

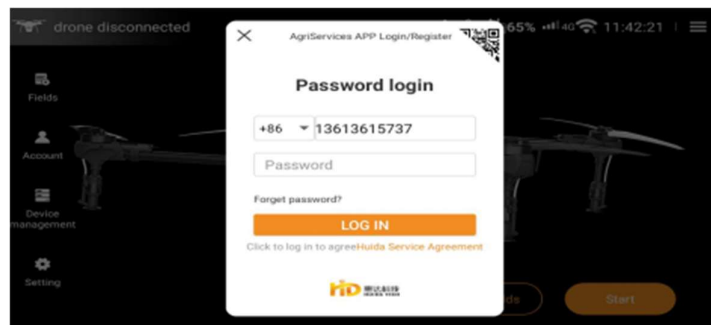
Version 1.0



1. Turn on the remote control and connect it to the network;
2. Install the smart battery on the drone and power it on;
3. After the drone is successfully connected to the remote control, log in the account of Huida Agricultural Services App via "Account" on the left side of the remote control homepage;



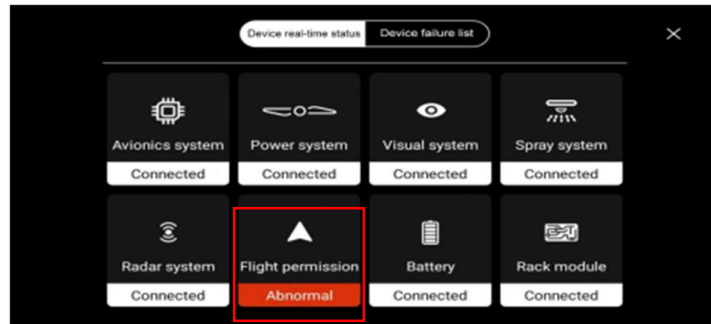
Note: You need to select the area code of the corresponding country.



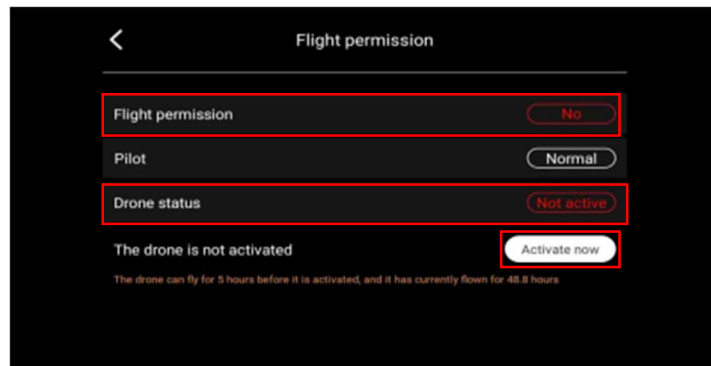
4. After logging in to the account, click "drone connected" to enter the intelligent detection interface.



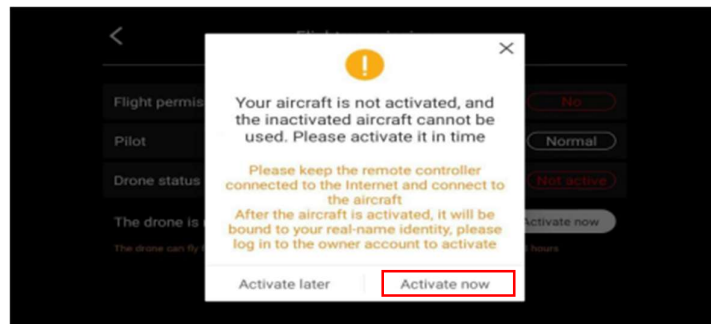
5. Click "Flight Permission" in the intelligent detection interface.



6. If the drone is not activated, it will show that "Flight permission" is "No" and "Drone status" is "Not active", click "Activate now" in this interface.



7. Click "Activate now" in the pop-up window.



8. Enter the activation code and click "Confirm".



Note:

The activation code is provided by the dealer. After activation, the current login account will be deemed as the owner; before activation, please make sure the login account is the owner account.